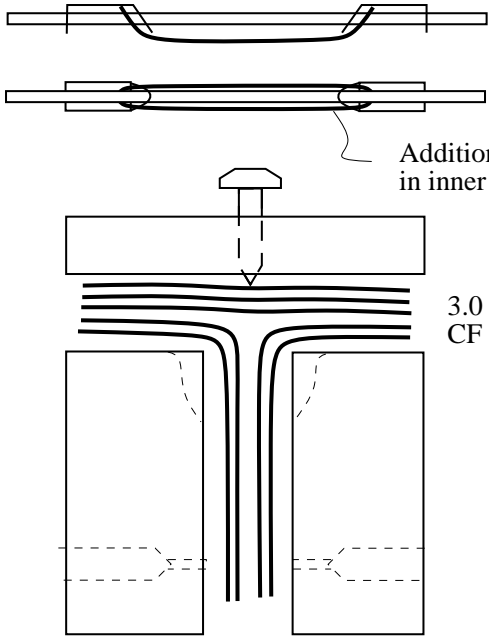


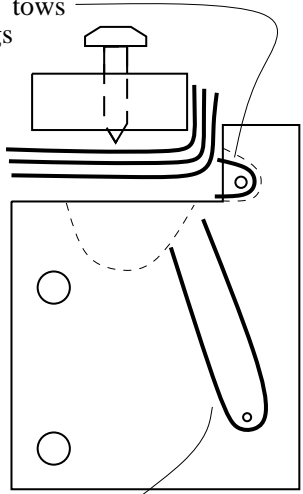
0.045" hinge pins



3-part platform/horn mold
(cartoon, not to scale)

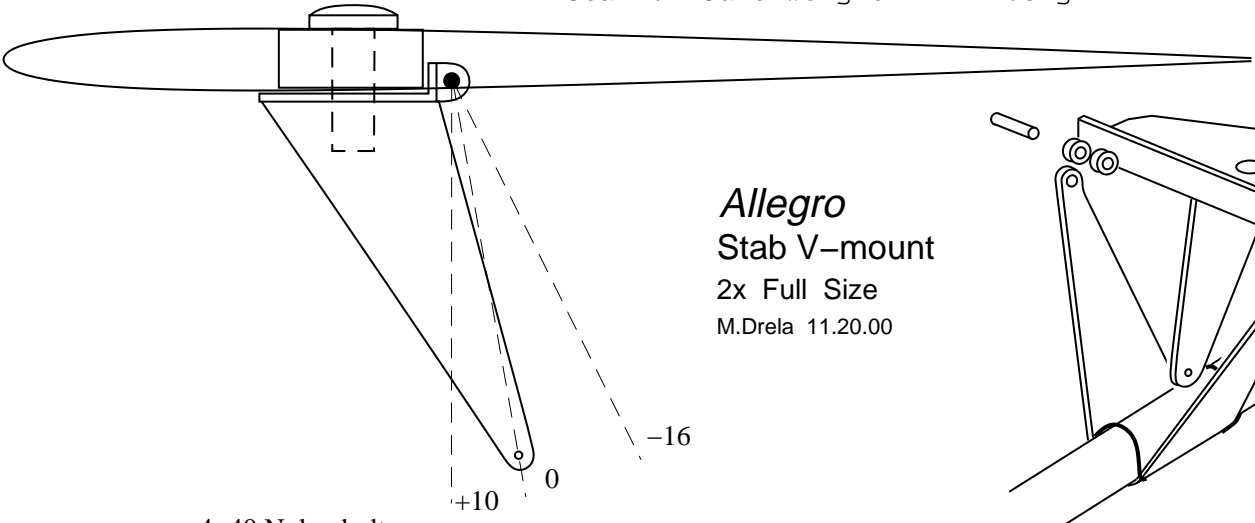
Additional 1K tows
in inner pin lugs

3.0 oz
CF cloth

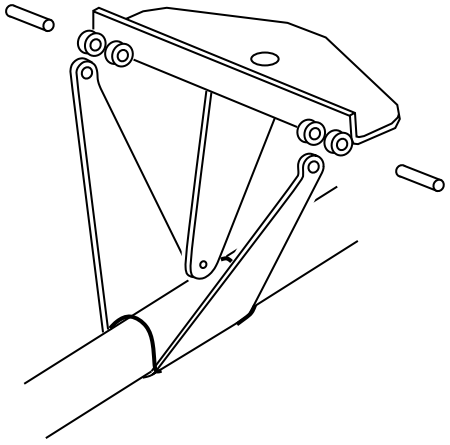


Additional 1K tow
around pushrod hole

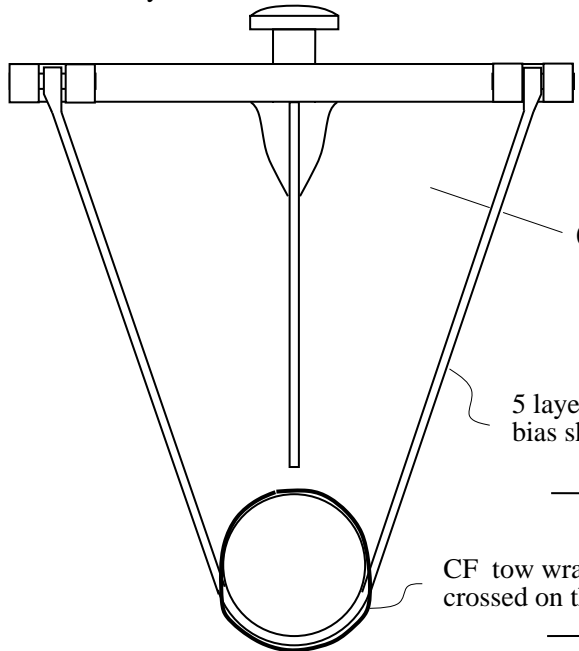
Estimated max hinge load: 3 lb
Estimated failure load : 20 lb
Total V-mount weight : 1.5 g



Allegro
Stab V-mount
2x Full Size
M.Drela 11.20.00



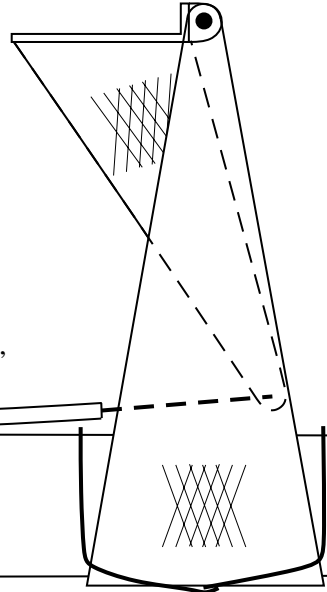
4-40 Nylon bolt



0.025"

5 layers 3.0 oz CF cloth,
bias sheared to +/-20

CF tow wrap,
crossed on the bottom



five additional 1K tows
around pin holes in
V-strut layup

CF boom,
3/8" dia. locally